



# GROUNDWORK REIMAGINED





## VERSATILITY | AGILITY | PRECISION

When it comes to installing, renovating, and maintaining the ground, nothing works better, harder, and longer than Force equipment.







# TABLE OF CONTENTS

BALLFIELD MAINTENANCE	4
ZERO-TURN LASER GRADING	8
LANDSCAPING EQUIPMENT	12
TURFGRASS MAINTENANCE	16
Z-23 STAND-ON MACHINE	18
QUICK-SWAP ATTACHMENTS	24
PULL-BEHIND GROOMERS	30



# BUILT FOR THE GAME

The Force Z-23 empowers operators with the control necessary to groom, prepare, and renovate; creating the safest and most playable surfaces possible. With available mid- and rear-mounted attachments engineered specifically for ballfields, the Z-23 is quite simply the best infield maintenance and renovation machine on the market.







# WORLD-CLASS RESULTS FOR EVERY FIELD

## RENOVATE, MAINTAIN, AND GROOM INFIELDS

Whatever field quality you're working with, the Z-23 is the comprehensive grooming, maintenance, and renovation machine you need. Fix drainage, reset infields, seed, fertilize, laser grade, level—all with the same machine and tool-free, quick-swap attachments. From professional crews to coaches and their volunteers, the Z-23 empowers whatever size crew you have to get more done, with greater precision and unprecedented efficiency.

### FORCE ADVANTAGES

**GAME DAY PREP** — Reduce weather-related delays and postponements by getting your field playable, faster.

**FINE TUNE** — Patented lift and swivel rear-mount system replicates the finesse of a hand-raked finish.

**FIX IT** — Leverage a mid-season away series to re-laser grade the infield—no heavy equipment required.





*I tell people if they're maintaining their ballfields with anything else other than an ABI Force, you're wasting your time. I can laser grade four ballfields in a day. Regular infield maintenance with the Force is at a whole new level.*

**-Rodney Jordan**  
Rock Haven Turf Specialties

**MORE ABOUT THE Z-23'S TURF CARE CAPABILITIES ON PAGE 16**

Actual products may differ slightly from images and may be shown with optional equipment. Available attachments & equipments shown throughout.



## ZERO-TURN LASER GRADING

# PRECISE LASER FINISH GRADING

The ABI Force is the world's first and only stand-on zero-turn laser grading machine, with accuracy plus-or-minus an eighth of an inch! (0.125 inch, 3.175mm) This patented, fully automatic laser grading system delivers unprecedented affordability and finish-grade accuracy to the sports turf and flatwork industries.

## FORCE ADVANTAGES

**ACCURACY** — When every inch matters, the tolerances provided by our RVF technology delivers consistent results.

**OWNERSHIP** — This compact-platform system empowers contractors to expand service offerings and get more done.

**VISIBILITY** — The stand-on zero-turn design allows operators to clearly see the work in progress and respond more quickly to the work site soil conditions.







*It is as advertised. It will laser grade within 1/8". We can place an operator with less experience on it and know that the grade is correct which allows the crew foreman to perform other tasks. It's a well built machine with fewer breakdowns and has been great for our business.*

**-Nolan Thomas**  
Nolan Thomas & Company, Inc.





SCAN CODE TO WATCH OUR VIDEO PODCAST, *GROUND ETC.*  
OR LISTEN ON YOUR FAVORITE PODCAST APP.



# FINISH GRADING REIMAGINED

The Force Z-23 is the world's first and only stand-on zero-turn laser grading machine. This fully automated laser system delivers unprecedented affordability and finish-grading accuracy to the sports turf and flatwork industries. The Z-23 has a dramatically smaller and lighter footprint than other laser grading machines, enabling laser finish-grading in tight areas and on materials where over compaction of the soil is unacceptable.

## FEATURES & OPTIONS



### INTERNAL HYDRAULIC CONTROL SYSTEM

The hydraulic system on the Z-23 can be built with a manual-operation exclusive or manual/laser-ready configuration. The manual-operation exclusive build is not upgradeable after initial factory-build. The laser-ready build configuration can be operated manually without the use of the separately purchased laser electronics should an operator not have them available.



### MACHINE-SIDE LASER ELECTRONICS

The available machine-side laser electronics package transforms the Z-23 into an automated laser grading machine. This system is perfectly matched and pre-programmed for plug-and-play operation.



### TRANSMITTER, TRIPOD & ACCESSORIES

Force by ABI offers a range of transmitters, tripods, grade rods, and other laser system accessories to suit the requirements for your job. The Z-23 is also able to be paired with almost any flat, single, or dual-slope laser transmitter you may already own.



# SOIL PREPARATION POWERHOUSE

The Z-23 zero-turn machine properly finish grades the soil for seed application or sod installation. It also evenly broadcasts and presses grass seed into the ground for optimal seed-to-soil contact. With available front, mid, and rear-mount attachments, the ABI Force helps efficiently create beautiful lawns and a signature finish.

ENGINEERED WITH RVF  
TECHNOLOGY







# EVERYTHING YOU NEED FOR **SEEDBED PREP**

## SOIL PREP & SEEDING

The Force landscape configuration can dig aggressively, decompact the soil, and dislodge rocks. Because of its zero-turn functionality, the Force machine gets the grunt work done while empowering maximum precision along contours, around obstacles, and in tight areas.

## Z-23 CONFIGURED FOR LANDSCAPE CONTRACTORS



### SEED & FERTILIZER SPREADER

The Force Spreader holds 120 lbs. of material and has an adjustable spread pattern from 4 to 25 feet, adjustable flow, and side deflector. This commercial-grade and independently controlled electric spreader is ideal for precisely broadcasting whatever seed or fertilizer you are choosing to use.



### VERSIBLADE MINI-BOX

The Versiblade Mini-Box easily sifts through dirt, so operators can do a pass to dig aggressively, decompact the soil, and dislodge rocks. With fingertip control of the powerful hydraulic and spring-loaded arms, users can quickly and effectively carry material, remove loosened debris, grade, and level with finesse—all while moving forward and maintaining perfect visibility.



### LANDSCAPE SOIL FINISHER

With a swivel hookup and our patented H-frame, the whole system follows the machine even in the tightest of turns. The dual Versiblades can be adjusted to float over the top of the soil, hovering to allow soil to flow through while still gathering any remaining rock or debris. This unique setup creates a fluffy, conditioned finish while continuing to reduce unwanted materials. On the back of the rear finishing attachment is a twisted basket roller that minimizes bounce, smoothens dirt, and presses in seeds.





*The ABI Force has been a game changer for our landscape company. We do many large construction housing developments and new landscaping projects. The Force cut the time needed to finish grade topsoil for seed preparation almost in half. We look forward to seeing how we can implement this machine into other areas of our business.*

**-Taylor Raisanen**  
Raisanen Landscaping



## TURFGRASS MAINTENANCE

# EXPAND YOUR TURF CARE VERSATILITY

Bid on more turf care jobs with the ability to core or slit aerate over 115,000 square feet per hour. It can also spread granular material for fertilizing and overseeding! With available mid- and front-mount attachments, the Z-23 is a top performer on and off the field.

### FORCE ADVANTAGES

**SIZE MATTERS** — With the widest aerators on the market, the Force covers more ground in less time.

**START TO FINISH** — The wide assortment of available attachments for the Force Z-23 empowers you to tackle the job—from rough grade, through installation, and on to regular maintenance—with one machine.







*I can get the grade right for drainage. High spots will dry out really fast and low spots will hold water and get root rot. The Force decompacts the ground, loosens it up, and moves dirt all at the same time. It's amazing.*

**-Pete Denny**  
GCI Turf Services



Z-23 STAND-ON MACHINE



# THE ALL-IN-ONE GROUNDCARE MACHINE

The stand-on zero-turn machine with patented Responsive Variable Force (RVF) technology and a full family of custom, innovative attachments that empower operators to get the job done.

ENGINEERED WITH  **RVF**  
TECHNOLOGY









# SINGLE-PURPOSE PRECISION MEETS MULTI-TASK MASTER



## INFIELD GROOMING

Nothing grooms tighter or faster with better visibility and control. Remove cleat marks, spread conditioner, and clean edges quickly. Attachments are available for any natural infield material and finish desired. Even nail drag 1/4" deep with laser precision with our patented Vibraflex drag.



## INFIELD LASER GRADING

Allow perfect drainage to the outfield with the machine automatically following conical or dual plane grades. Fix high or low areas the human eye has trouble sensing to make the field playable faster after a rain event. After grading, the same machine can then finish the field to game ready condition.



## GRAVEL MAINTENANCE

The RVF system enables the scarifiers to easily rip out potholes and compacted gravel on driveways and parking lots. Paired with Mini-Box attachments, the machine can fill lows and cut down highs to fix drainage issues on paths, trails, and stone walkways as well.



## FLATWORK LASER GRADING

Prepare very accurate sub-grades for concrete flatwork anywhere with a 6' doorway. Work inside tight areas with zero-turn maneuverability setting sand base layers. Makes quick work of clay tennis courts as well.



## HORSE ARENA GRADING

The Force Z-23 is ideal for decompacting, grading, and dragging round pens and circular horse walkers up to a depth of three inches. Precise depth control keeps footing consistent while enabling quick work around jumps and other obstacles.



## TEE BOX LASER GRADING

Get perfect water runoff with a machine the size of a mower! New construction or renovations can happen quickly with laser precision down to 1/8". Reduces manpower and equipment needs.



*In using the ABI Force we've been able to streamline our training process for employees, which makes us more efficient. The Force takes the place of at least 3 pieces of equipment, which saves us money. Because it's returned its investment so quickly and because it's so versatile...we just need more of them!*

**-Ryan DeMay**  
City of Columbus Parks & Recreation



### LAWN SEED & SOD PREP

Easily loosen, level, and seed tight areas and hard to access job sites. Carry in and spread material with the scoop attachment and fill holes fast.



### SEEDING

Prepare perfect seed beds quickly. Loosen, broadcast, and cultipack to the perfect firmness in tight spaces and along edges or contours.



### PLUG OR SLIT AERATING

Allow water, oxygen, and nutrients to reach the roots by relieving compacted soil with either our plug or slit aerators. When paired with our XD Flexible Drag Mat you can break up the cores while you aerate. Select the slit aerator and you can aerate the same day you overseed or even on game day.



### OVERSEEDING

Using a combination of options the Z-23 can quickly overseed existing turf. Aerate and broadcast seed fast in tight areas with one truck, one machine, and one operator.



### FERTILIZING

The 120 lb capacity hopper allows accurate application of a variety of nutrients quickly. The visibility, maneuverability, and control of the Z-23 allow the job to get done faster than other methods.



### EDGING

Easily and quickly edge infields, cart paths, sidewalks and even landscape beds with total control. Create straight cuts or free-form organic shapes to outline new beds quickly and cleanly in existing sod.

# DYNAMIC COMMAND IN HAND

## RESPONSIVE VARIABLE FORCE TECHNOLOGY

The Force Z-23 is an immersive experience where the machine becomes an extension of the human body. The stand-on zero-turn platform, combined with fingertip control over hydraulically operated attachments, delivers freedom of movement, eye-opening visibility, and dynamic command over the work performed. The Z-23 is a new category of work machine, offering a new level of versatility, agility, and precision.



## RESPONSIVE VARIABLE FORCE TECHNOLOGY

The heart of the Force Z-23's innovation is its patented Responsive Variable Force Technology. RVF Technology enables small footprint zero-turn machines to do the work of much larger and heavier machines, with a fraction of the otherwise required tractive effort. Located at the underbelly of the Z-23, the RVF Technology hydraulically controls mid-mounted ground-engaging attachments with lift, variable down pressure, and pitch adjustments.



SCAN CODE TO WATCH A VIDEO ON THE RVF SYSTEM  
OR VISIT [FORCEBYABI.COM/RVF](https://forcebyabi.com/rvf)



### REAR LIFT SYSTEM

- Powerful Hydraulic Cylinder
- Adjustable Lifting Bar
- Articulating Tool Carrier



### LIFT, GRADE, & DEPTH CONTROL

- Variable Down Pressure to Ground-Engaging Components
- Control Attachment Grading Position and Working Depth
- Automated Grading with Available Laser Technology



### PITCH CONTROL

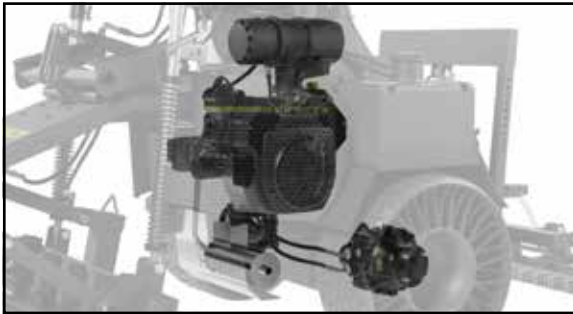
- Fine Tune Angle of Ground Engagement
- Adjust Ground Engagement Relationship Between Two Mid-Mounted Attachments



# INDUSTRY LEADING TECHNOLOGIES

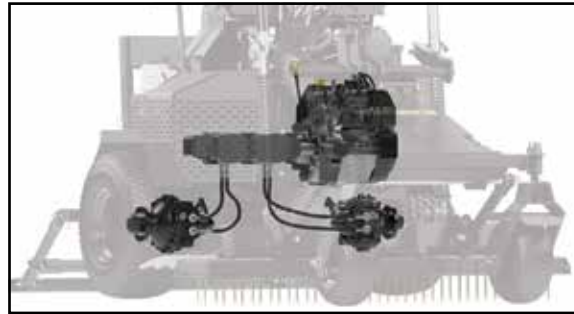
The Force Z-23 was specifically engineered to include technologies that reduce the need for frequent repair and avoid common sources of breakdowns. The commercial grade systems, backed by a hefty warranty, mean the Z-23 is designed to work hard all day, every day.

## FEATURES & PERFORMANCE



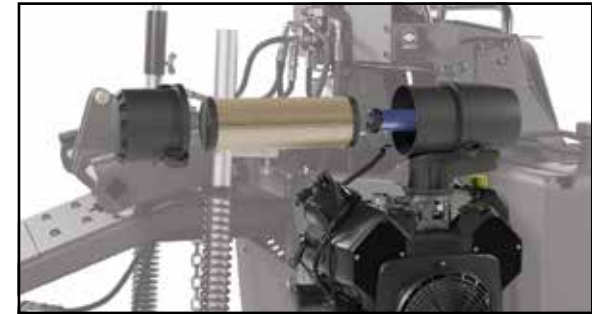
### ELECTRONIC FUEL INJECTED (EFI) ENGINE

Each Z-23 comes equipped with a 23HP electronic fuel injection engine standard. An EFI system utilizes advanced computer controls teamed with a high-pressure fuel delivery system to provide peak power and fuel efficiency. The Force now starts like a car with no carburetor issues, has increased fuel efficiency, and starts easily in the cold!



### BELTLESS HYDROSTATIC DRIVE SYSTEM

Typically, machinery of this size runs off a Hydraulic Drive System geared to a belt and pulley drive shaft. The lifetime of a belt can be unpredictable as belts frequently break. Each Z-23 is plumbed standard with Dual Stacked HydroGear Variable Displacement Pumps and Fixed Displacement Wheel Motors, avoiding the need for belts entirely. The benefits are significant compared to typical belt-driven systems.



### 2-STAGE AIR FILTER

Every Z-23 comes standard with a Heavy Duty 2-Stage Cyclonic Canister Air Filtration System. No longer located near the engine, the Canister Air Filter has been relocated for ease of access. A 2-stage filtration system makes sure that your engine pulls clean air, acting as your engine's shield in dusty conditions. Keep the filter clean to see improved engine performance, fuel efficiency, and extended engine life.



## MID-MOUNT ATTACHMENTS

# QUICK-SWAP ATTACHMENTS

A FULL FAMILY OF TOOL-FREE INTERCHANGEABLE ATTACHMENTS TO GET MORE WORK DONE



### MINI-BOX BLADE

60" Wide, Flat Blade, 80 lbs

The Mini-Box Blade attachment gives the ABI Force extra earth-moving muscle and unmatched versatility. The Mini-Box Blade easily mounts to the ABI Force's unique mid-mount attachment system with drive-over capability.



### MULTI-FUNCTION RAKE

60" Wide, 1/2" Thick Steel, Laser Cut

Can be pitched vertically to back blade material from high areas and fill into low areas, it can pull off loose vegetation and debris into piles, and it creates an ideal finish on gravel parking lots and for other heavy dirt work. Included on the base configuration.



### VERSI BLADE MINI-BOX

60" Wide, Serrated Blade, 80 lbs

The VersiBlade Mini-Box easily sifts through dirt, so operators can do a pass to dig aggressively, decompact the soil, and dislodge rocks. Then they can come back through as needed to gather roots and rocks into a spoil pile without bringing excess dirt since the VersiBlade allows soil to flow through.



### TOOTH BAR

62" Wide, 12 Tines

The Tooth Bar is designed to fracture and loosen material to keep the optional Mini-Box loaded with material to improve efficiency when grading. Configure the Tooth Bar to 3" or 6" spacing for your job site.



### VIBRAFLEX 3800

60" Wide | 3/4" Spacing | 1/4" OR 3/8" Pins

The Vibraflex Infield Drag 3800 is an innovative attachment that prepares recreational level baseball and softball infields with four rows of evenly staggered U-pins for any infield material. Unlike conventional nail boards, VibraFlex pins are easy to replace, and our RVF technology positively controls ground-engagement depth regardless of material moisture or compaction.



### VIBRAFLEX 5800

60" Wide | 1/2" Spacing | 1/8" OR 1/4" Pins

With a higher number of pins, the Vibraflex Infield Drag 5800 prepares competition and professional level baseball and softball infields with four rows of evenly staggered U-pins that shatter surface tension to prepare any engineered soil and surface conditioner.

# ZERO-TURN PLATFORM, HEAVY DUTY RESULTS, ZERO COMPROMISES

ENGINEERED WITH **RVF** TECHNOLOGY

Hydraulically controlled by our patented RVF system, our mid-mount attachments are able to do the work of much larger and heavier equipment while avoiding the damage and compaction they can cause to surrounding areas.



## STEALTH BLADES

49" Wide, 7 Shanks

Stealth Blades offer the perfect subsurface compaction relief. The middle ground between the Profile Blades and Scarifiers, Stealth Blades offer less resistance to cut through thicker-rooted vegetation, with ease. Great for de-weeding an infield skin, or vegetation removal off the skin.



## PROFILE BLADE

60" Wide, 2 Sections

Used to de-compact the surface without up-ending the surface profile. For light renovation work, the patented Profile Blade attachment yields unparalleled de-compaction results by slicing the complete profile of the infield material from 1/2" up to 3 inches under the infield surface.



## SCARIFIERS

47" Wide, 7 Shanks

The scarifier ripping teeth make easy work of extreme hardpan and vegetation. The rippers enable the Z-23 to be used to renovate infields, maintain gravel roads or parking lots, and even complete seedbed preparation jobs.



## ROLLER W/ WEIGHTS

58" Wide, approx. 1/2 ton pressure

The underbelly roller has a 58" working width & an 8" roller diameter. This roller compacts turf and soil surfaces, with an approximate 1/2 ton of variable pressure, when weights are applied to the machine. Kit includes three 50 lb weights with handles and a carrying tray. The roller easily lifts for transport.

## INDUSTRY LEADING MID-MOUNT AERATORS



## PLUG AERATOR W/ WEIGHTS

48" Wide, 545 lbs, 72 Tines

The available 48" plug aerator, mounted to the mid-mount hydraulic lift system, enables 115,000 sq. ft. per hour aerating output. With hydraulic downward-pressure and 400 lbs of weights, this machine outperforms many dedicated aerators while achieving core depths up to 3 - 1/2".



## SLIT AERATOR W/ WEIGHTS

48" Wide, 600lbs, 308 Spikes

A less intrusive version of the core aerator, the Slit Aerator cuts slits in the surface, up to 2" deep, to assist in overseeding, compaction relief or on the skin to assist in opening the infield surface post-rain. 350 lbs of suitcase weights insure the spikes break up some of the hardest surfaces.

QUICK-SWAP ATTACHMENTS

**FORCE**  
BY ABT



## REAR-MOUNT ATTACHMENTS

# QUICK-SWAP ATTACHMENTS

A REVOLUTIONARY REAR LIFT & SWIVEL SYSTEM ACHIEVES HAND-FINISH QUALITY RESULTS IN A FRACTION OF THE TIME



**PRO FINISHER**  
84" Wide, 68 lbs

This premiere infield finisher was developed in partnership with professional teams for their daily use. A coated steel lattice evenly floats over the infield surface material to level and redistribute conditioner. Flared edges seamlessly feathers edges, leaving no trails even on sharp turns. The Pro Finisher is designed for use on well maintained and already level infields.



**VIBRAFLEX 3500-R**  
72" Wide, 1/2" Spacing, 1/8" or 1/4" Pins

The all new VibraFlex 3500-R is a game-changer. Stationed behind the Z-23, two staggered rows of 1/4" or 1/8" VibraFlex pins that are designed to remove tire compression and air out the field. Simply lower the rear hydraulic lift to engage the VibraFlex 3500-R for nail-dragging and Laser Grading applications.



**FINE FINISH BROOM**  
84" Wide, 3 Rows of Bristles

The Fine Finish Broom creates the perfect finish in both high and low moisture conditions on well-maintained surfaces. This broom is 7' wide and offers 3 rows of bristles. The mounting arms are adjustable to set the exact working angle desired and the broom has an ideal weight for the perfect amount of down pressure needed for beautiful performance.



**RIGID DRAG MAT**  
72" Wide, 18" long

A rigid metal mat with built-in leveling bar is perfect for every-day use and a perfect finish. The tight metal mesh breaks up small clods and chunks of dirt that are typically missed by a broom and the swivel hitch tracks with the inside tire through turns to cover all tire tracks.



**XD FLEXIBLE DRAG MAT**  
72" Wide, 36" Long

Extreme Duty Drag Mats are ideal to prepare an infield ready for play with heavy gauge yet flexible rust resistant galvanized steel mesh. Ideal for all ball diamonds, trail maintenance, breaking-up aeration cores, leveling turf fields and more! Extreme duty drag mats are the heaviest duty mats on the market and are designed for the most demanding situations.



**COCO MAT**  
72" Wide, 18" Long

A perfect drag for surfaces with more moisture, the Coco Mat also has a built-in leveling bar to help fill in low spots while also leaving a clean finish.

## FRONT AND SIDE-MOUNT

# ADDITIONAL ATTACHMENTS

Extend the functionality of the ABI Force and take an already versatile machine to a whole new level.



**LANDSCAPE SOIL FINISHER**  
66" Wide, 340 lbs

Dual Versiblades can be adjusted to float over the top of the soil, hovering to allow soil to flow through while still gathering any remaining rock or debris. The twisted basket roller minimizes bounce, smoothens dirt, and presses in seeds.



**REAR SCOOP**  
300 lb Capacity, 60" Wide

No need for a wheelbarrow if you have a Z-23 with the Rear Scoop on your trailer. With its hydraulic lift system and electric actuated dump and retraction ability, the Scoop can carry up to 300 pounds of mulch or soil and place it right where you want it.



**PULL-BEHIND CULTIPACKER**  
Available in 48" & 72" Widths

A good cultipacker is indispensable in achieving quick germination and growth with your broadcast seeding projects. Ensuring proper seed-to-soil contact, moisture absorption, and germination, the cultipacker is a critical part of the seeding process. Cultipack again after seeding to press the seed in and create moisture-holding pockets.



**SEED & FERTILIZER SPREADER**  
120lbs Capacity, 4-16' Spread, 12V DC

Holds 120 lbs of material and has an adjustable spread pattern from 4 to 25 feet, adjustable flow, and side deflector. This commercial-grade and independently controlled electric spreader is ideal for precisely broadcasting nearly any type of seed, fertilizer and even some infield surface conditioners.



**PRO EDGER SYSTEM**  
18' Disc, Subsurface blade

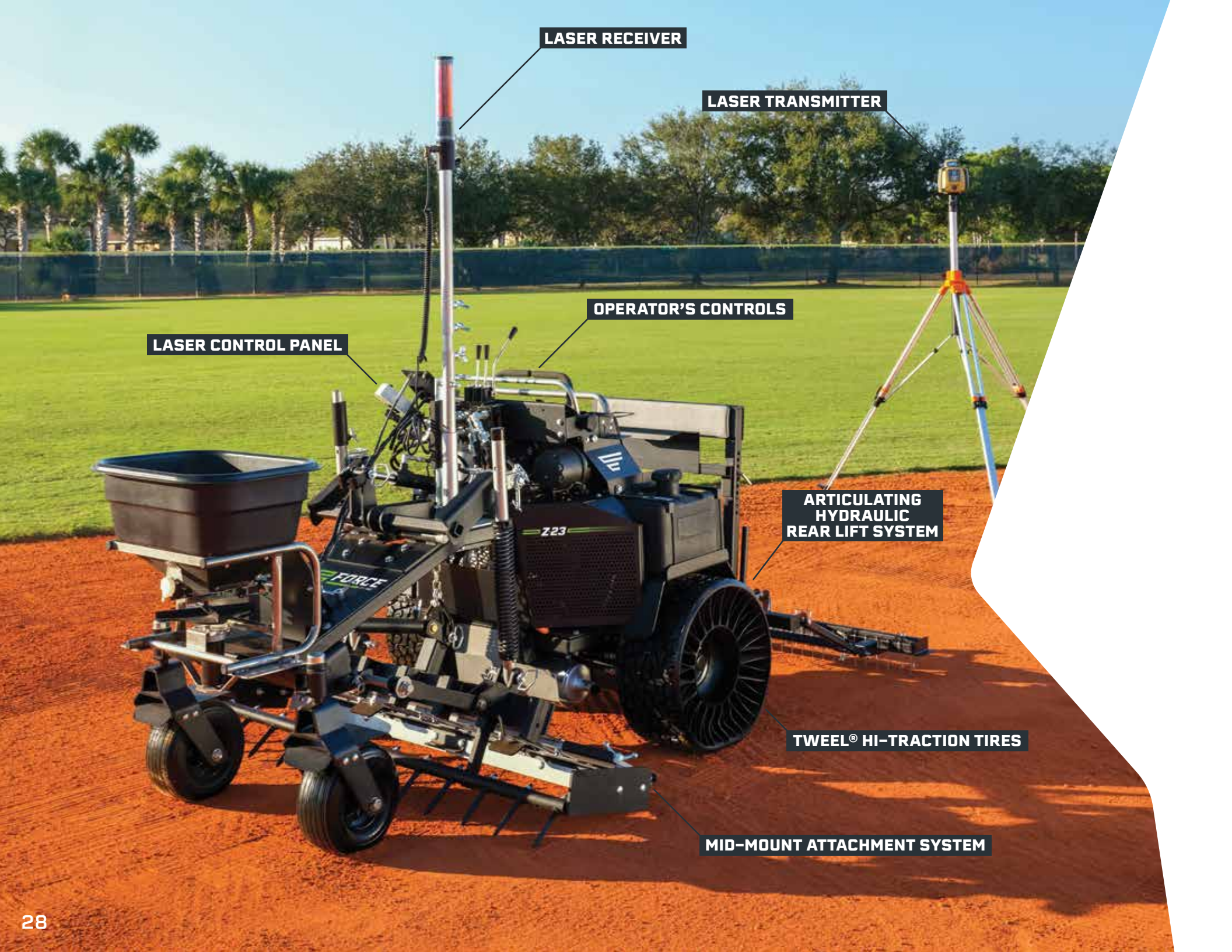
Clearly define infield edges, cart paths, and landscaping beds with this patented edger system. The edger mounts to the hydraulic RVF mid-mount system for complete finger-tip control. The reversible 18" disk pushes or pull materials depending on the mounting orientation of the disk to create a clean turf edge.



**SNOW PLOW MOUNT SYSTEM**  
Hydraulic lift, pitch, & down pressure

Ideal for contractors looking to make quick work of sidewalks and tight corners in residential areas and around commercial buildings. This snow plow mounting system includes all the hydraulic and mechanical components needed to connect a BOSS® 4' or 5' wide ATV Poly snow plow blade to a Z-23. Separate light kit also available.





**LASER RECEIVER**

**LASER TRANSMITTER**

**OPERATOR'S CONTROLS**

**LASER CONTROL PANEL**

**ARTICULATING  
HYDRAULIC  
REAR LIFT SYSTEM**

**TWEEL® HI-TRACTION TIRES**

**MID-MOUNT ATTACHMENT SYSTEM**

# FORCE Z-23

<b>ENGINE</b>	
Engine Type	KOHLER® Command Pro 23 HP EFI V-Twin OHV (17.2KW)   747CC   4-cycle air cooled   Gasoline   Model ECH740
Fuel Type/Tank Capacity	6 Gallon / 22.7125 Liter capacity with fuel gauge   Unleaded gasoline
Air Filter	Heavy duty 2-stage cyclonic canister air filtration system
<b>DRIVE SYSTEM</b>	
Transmission	Hydrostatic zero-turn   HydroGear variable displacement pumps & fixed displacement wheel motors
Forward/Reverse Speeds	Forward 0-10 mph   Reverse 0-4 mph
<b>CHASSIS</b>	
Frame construction	Rugged structural tube steel construction
Dimensions	93" L x 56" W x 57" H   72"-84" With optional rear attachments
Base Unit Weight	1,300 lbs
Mid-Mount System	Independent hydraulic lift & pitch controls with adjustable & lockable spring-loaded down force with Responsible Variable Force (RVF) Technology
Rear-Mount System	Hydraulic lift control with articulation
Tires & Wheels	Front (Air): 13 x 6.50-6, Rear: 24 x 12.00-12 (Air or Optional Tweel® tires)
Towing Capacity	2" Receiver - 2,000 lbs towing capacity at slow speed on flat and open ground <b>ONLY!</b> Never tow anything on an incline!
Electrical	20 AMP regulated alternator   350 CCA AT 0 Degrees - Battery
<b>OPERATOR EXPERIENCE</b>	
Steering	Cushioned zero-turn steering levers
Comfort	Cushioned knee pad   Cushioned lumbar support bar   Spring cushioned standing platform   Cup holder
Dashboard	Dash indicator lights   USB power port
Braking	Dynamic braking via hydrostatic transmission   Integrated parking brake
<b>ENVIRONMENTAL</b>	
Compliance	EPA & CARB compliant
<b>WARRANTY*</b>	
Limited Warranty	36 month machine and accessories/3-year unlimited hour commercial warranty. *Refer to manual.

Specifications and features are subject to change without notice. Tweel® is a registered trademark of Michelin North America Inc. Kohler® is a registered trademark of Kohler Co. All rights reserved.  
 U.S. PATENTS HELD: 10,765,053 | 10,492,354 | 10,287,745 | 10,287,744 | 10,149,440 | 9,883,621 | 9,332,687 | 8,944,176 | 7,540,331 | 7,478,682





# BIG LEAGUE RESULTS FOR A LIMITED BUDGET

For facilities, schools, and municipalities working with smaller budgets, Force pull-behind infield groomers are the ideal ball field grooming solution. Force pull-behinds have attachments compatible with your facility's UTV or mower. Whether you're working with paid staff, volunteers, or it's just you, Force pull-behind infield groomers are built intuitively so any operator can catch on quickly and be able to groom the ballfield.







**INFIELD RASCAL MVP™**

# UNMATCHED **VERSATILITY** UNPARALLELED RESULTS

The Infield Rascal® MVP is a rugged pull-behind baseball and softball infield surface groomer that has the versatility to groom youth league to major league infield surfaces daily, perform infield renovations, and regrade pothole-riddled gravel parking lots with ease.

U.S. PATENT # 7,478,682 & 7,540,331

## KEY ADVANTAGES

**RENOVATE** — Designed to decompact and regrade hard infield surfaces and warning tracks, eliminate lip build-up along the turf edge, and remove weed growth and creeping grasses.

**MULTI-PURPOSE** — The MVP sets a new design standard with its ability to transform into a multi-purpose ground-prep tool for work off the field such as seed bed prep and gravel parking lot maintenance.

**DAILY GROOMING** — In addition to renovation and work off the field, the MVP is the industry leader in daily maintenance with its precision and multiple finishing attachment options.



Options shown

## INCLUDED ATTACHMENTS

Some of our most game-changing attachments that work on and off the infield are included standard with the Infield Rascal MVP.



PROFILE  
BLADES



SCARIFIERS



ADJUSTABLE  
RAKE

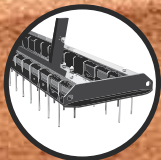


“We maintain five baseball fields and two dirt driveways with this and it’s the only tool we use. We LOVE this thing and all the people at ABI were just as solid. We can’t recommend this tool and company enough.”

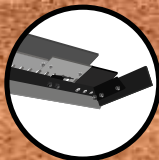
★★★★★ Customer from Florida



**OPTIONAL CHASSIS ATTACHMENTS**



VIBRAFLEX  
3800 OR 5800



MINI-BOX  
BLADE



MINI  
SCARIFIERS



STEALTH  
BLADES

**OPTIONAL FINISHING ATTACHMENTS**



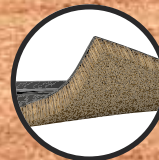
RIGID  
DRAG MAT



FINE FINISH  
BROOM



XD FLEX  
MAT



COCO MAT



**INFIELD RASCAL PRO™**

# FINESSE FOR PRO-FINISH INFIELDS

The Infield Rascal® Pro utilizes available VibraFlex™ technology to ensure outstanding results for daily grooming and light renovation work. The Wheel Lift System enables the operator to easily transport the tool and maintain control over grooming depth and aggression.

## KEY ADVANTAGES

**RELIABLE RESULTS** — The Infield Rascal Pro produces a reliable infield finish that creates a safer, more playable field, allowing your players to compete at their fullest potential.

**SPEED ON & OFF THE FIELD** — The Wheel Lift System lifts the drag for transport between fields and eliminates the manual labor of loading and unloading equipment into the tow vehicle. Add the optional electric actuator for push-button control from the vehicle's seat.

**DEPTH PRECISION** — Variations in soil and weather conditions throughout the season require a groomer that you can easily adjust to deal with any situation that comes your way.



Options shown

## INCLUDED ATTACHMENTS

Our original, patented profile blade attachment for seasonal renovation work, from the infield to the warning track, is included standard with the Infield Rascal Pro.



PROFILE  
BLADES

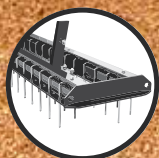


*"I'm the lone groundskeeper at a six diamond complex and the Infield Rascal has been a great investment. It saves me man hours and energy. Best of all it produces great results when leveling, weeding, overall maintenance, and appearance of our baseball facility. I wish we had the Infield Rascal years ago!"*

★★★★★ *Customer from Arizona*



**OPTIONAL CHASSIS ATTACHMENTS**



**VIBRAFLEX  
3800 OR 5800**



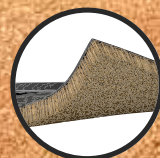
**RIGID  
MAT**



**FINE FINISH  
BROOM**



**XD FLEXIBLE  
DRAG MAT**



**COCO  
MAT**



## INFIELD GRADER

# BIG CAPABILITY FOR SMALL MACHINES

The Force by ABI Infield Grader is a performance oriented, yet cost effective, infield maintenance groomer designed for use behind a riding mower or zero-turn vehicle with a rear hitch. With an Infield Grader, every baseball and softball league can now afford safer and more playable infields.

U.S. PATENT # 10,501,912

### KEY ADVANTAGES

**LAWN MOWER TOWABILITY** — The Infield Grader is the only groomer that actually does tough work behind a riding or zero-turn lawn mower! Force By ABI's U.S. patents make this a one-of-a-kind groomer for mowers.

**CONTROLLED FORCE** — Controlled Force technology adds active On-The-Go Weight Control, which enables the operator to transfer weight from the tow vehicle to the Infield Grader as more or less weight is needed for the job!

**NO SLIP SPRING TECHNOLOGY** — Spring retraction allows the mid-mount attachments to slightly release under higher-than-average pressure, so the mower does not lose traction.



Options shown  
Battery not included

### INCLUDED ATTACHMENTS

Everything you need to decompact and precisely grade your infield, with only a riding lawn mower, comes standard with the Infield Grader.



MINI-BOX  
GRADER



LOOSENING  
TEETH



REVERSIBLE  
BLADE EDGE





“I could not be more satisfied with the job it has done on our infield. It has a very solid construction, so I know it will last for years. I highly recommend this unit to anyone looking to improve their infield and make maintenance easier.”

★★★★★ Customer from Canada



### OPTIONAL CHASSIS ATTACHMENTS



6' FINISH BROOM



6' XD FLEXIBLE DRAG MAT



# PRO RESULTS FOR EVERY INFIELD

ABI INFIELD GROOMERS	INFIELD RASCAL® MVP	INFIELD RASCAL® PRO	INFIELD GRADER
Pricing Comparison	\$\$\$\$\$	\$\$\$\$\$	\$\$\$\$\$
Precision Infield Grooming	✓	✓	—
Infield Prep & Leveling	✓	✓	✓
Infield Renovation	✓	—	✓ (Light)
Warning Track Maintenance	✓	—	✓ (Light)
Gravel Maintenance	✓	—	✓ (Light)
Electric Actuator	Option	Option	✓
Wireless Key Fob	Option	Option	✓
Use w/Mower OR Zero-Turn	—	✓	✓
Use w/ ATV OR UTV	✓	✓	—
Use w/3-Point Tractor	Option	Option	—
CC/HP Requirements	570+cc, 23-35hp	450+cc, 18-35hp	300+cc, 18-27hp
Min. Tow Vehicle Weight	700 lbs	650 lbs	550 lbs
Hitch Type	2" Ball Coupler	2" Ball Coupler	Pin Hitch

✓ = Included. Both the Infield Rascal MVP and the Infield Rascal Pro require one of the Vibraflex attachments options. Vibraflex attachments are not compatible with the Infield Grader. Both the Infield Rascal MVP and Pro, as well as the Infield Grader, require at least one rear-mount finishing attachment of your choice. Infield Rascal MVP and Pro attachments are not cross compatible with the Infield Grader. Infield Grader attachments are not compatible with either of the Rascal models.



	INFIELD RASCAL® MVP	INFIELD RASCAL® PRO	INFIELD GRADER
<b>PRECISION GROOMING MID-MOUNT ATTACHMENTS</b>			
VibraFlex 3800	Option (60")	Option (60")	—
VibraFlex 5800	Option (60")	Option (60")	—
<b>FINISHING REAR-MOUNT ATTACHMENTS</b>			
Rigid Drag Mat	Option (72")	Option (72")	—
XD Flexible Drag Mat	Option (72")	Option (72")	Option (72")
Coco Mat	Option (72")	Option (72")	—
Fine Finish Broom	Option (84")	Option (84")	Option (72")
<b>RENOVATION &amp; PREPARATION MID-MOUNT ATTACHMENTS</b>			
Mini-Box	Option (66")	—	✓ (48")
Mini Scarifiers	Option	Option	✓
Large Scarifiers	✓	—	—
Multi-Purpose Rake	✓ (66")	—	—
Stealth Blades	Option	—	—
Profile Blade	✓	✓	—





# EMPOWERING YOUR WORK

**FORCE BY ABI HAS TRANSFORMED THE WORLD OF DIRT AND TURF WORK SINCE 2012.** Force is trusted by major league ballparks, metropolitan municipalities, and local contractors across the continent. Our decades-long focus on pushing the limits of innovation and providing outdoor workers with a remarkable customer experience has inspired us to do business differently.

Force machines and attachments can be purchased through local dealers who can provide unparalleled support for the life of the product. Where a local dealer is not available, our on-site Product Specialist Team is here to help you get the equipment you need. Our signature tools are engineered and manufactured in the USA and shipped directly to you. We are confident your Force equipment will make your toughest ground and turf work easier and more efficient than ever for years and years to come!



**TO LEARN MORE ABOUT FORCE BY ABI,  
SCAN THE QR CODE OR VISIT [FORCEBYABI.COM](https://forcebyabi.com)**

---

**[FORCEBYABI.COM](https://forcebyabi.com)**



Although every reasonable effort is made to ensure accuracy in this catalog, ABI Attachments, Inc., is not responsible for typographical or illustrative errors. Actual products may differ slightly and may be shown with optional equipment.

Images may not reflect dealer's inventory and/or unit specifications.  
Units may be shown with additional features. Ask dealer for details.

© 2024 ABI ATTACHMENTS, INC, All rights reserved. | FL-23-11